

# PYRA FLASHING LIGHT 10 J PY X-M-10



- Safe – an incorrect installation is virtually impossible.
- Easy – significantly shorter assembly and installation times.
- Economical – largest possible signaling range due to effective Xenon technology.
- Installation options with external lugs or internal holes.
- Choice of 4 different flash rates via DIP switch.
- Suitable for panel mounting.
- Electronic constant current regulation at 24 V DC devices to avoid load fluctuations.
- Integrated inrush current limitation and undervoltage detection (option).
- Providing full synchronisation on multi-flashing light systems.



protection system



impact-proof housing



operating temperature



SSM version



SSM version



warranty



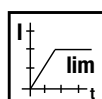
connector (option)

## PRODUCT PY X-M-10

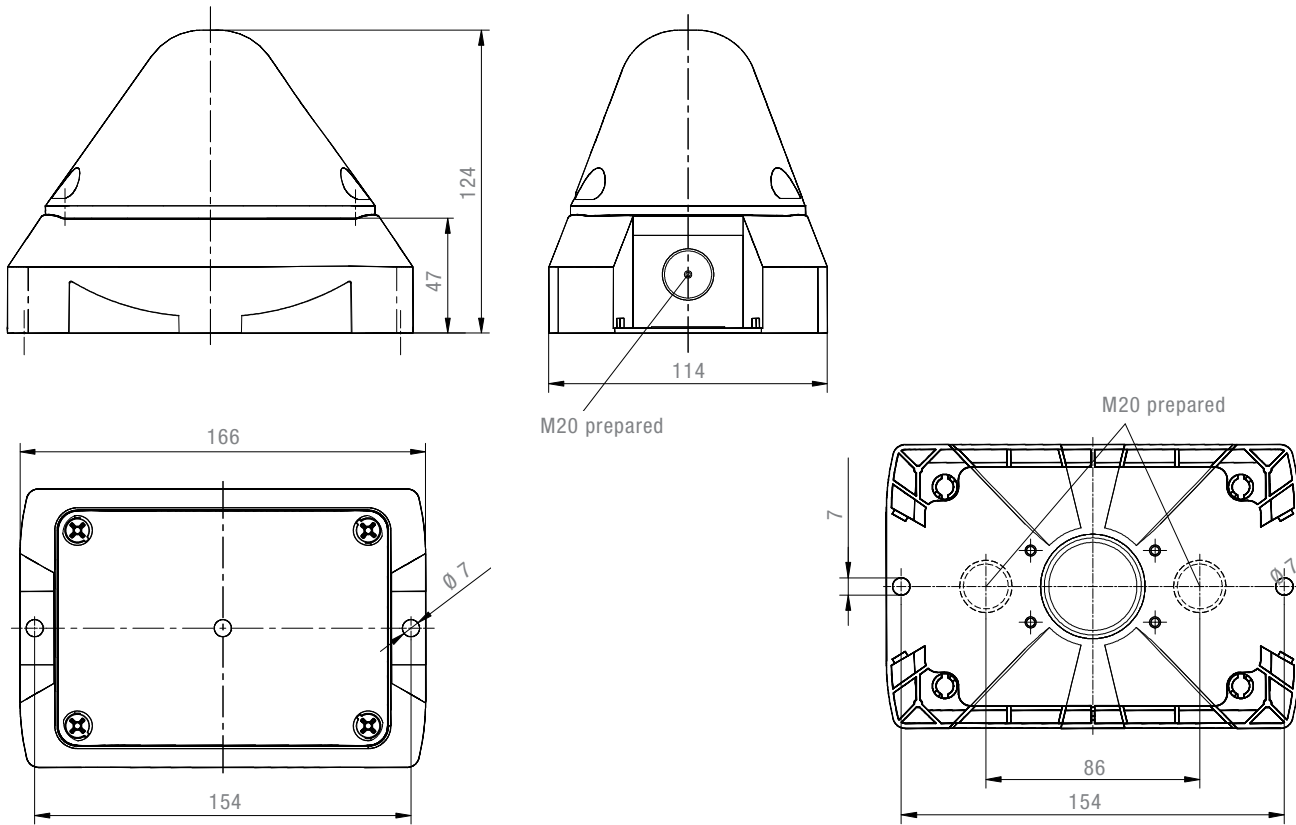
| PRODUCT                                 |         | PY X-M-10  |               |                             |
|---|---------|--|---------------|-----------------------------|
| <b>DATA</b>                             |         |  |               |                             |
| Rated voltage                           |         | 230 V  | 115 V         | 12 / 24 / 48 V DC / 24 V AC |
|   |         | AC 50   60 Hz  | AC 50   60 Hz | DC                          |
| Operating range                         |         | 187–255 V  | 90–135 V      | 10–57 V                     |
| Nominal current consumption @ 1 Hz      |         | 150 mA   | 240 mA        | 540 mA @ 24 V               |
| Flash rate                              |         | 0.1 / 0.5 / 0.75 / 1 Hz (DIP switch)                                   |               |                             |
| Flash energy                            |         | 10 J   |               |                             |
| Light intensity (DIN 5037) <sup>1</sup> |         | 149 cd   |               |                             |
| Max. viewing distance                   |         | 283 m  |               |                             |
| Operating temperature                   |         | –40 °C ... +55 °C  |               |                             |
| Storage temperature                     |         | –40 °C ... +70 °C  |               |                             |
| Relative humidity                       |         | max. 90 %  |               |                             |
| Protection system (EN 60529)            |         | IP 66  |               |                             |
| Protection class                        |         | II   |               |                             |
| Duty cycle                              |         | 100 %  |               |                             |
| Service life of the light source        |         | light emission still 70 % after 8,000,000 flashes                      |               |                             |
| Material                                | lens    | polycarbonate (PC)   |               |                             |
|   | housing | PC / ABS   |               |                             |
| Housing colour                          |         | RAL 3000 (flame red) / RAL 7035 (light grey) / RAL 9003 (signal white) |               |                             |
| Cable entry                             |         | 2x M20 sideways, 2x M20 bottom side                                    |               |                             |
| Integrated seal with cable entry        |         | 6–13 mm  |               |                             |
| Connecting terminal                     |         | 2.5 mm <sup>2</sup> fine wire, AWG 16                                  |               |                             |
| Weight                                  |         | 440 g  |               |                             |

<sup>1</sup> with a clear lens

## OPTIONS/ACCESSORIES



DIMENSIONS



EN 54-23

| ARTICLE NO.    |             | PY X-M-10   |             |                        | PY X-M-10 SSM |
|----------------|-------------|-------------|-------------|------------------------|---------------|
| HOUSING COLOUR | LENS COLOUR | 230 V AC    | 115 V AC    | 12/24/48 V DC/ 24 V AC | 24 V DC       |
| ●              | /           | 21551101000 | 21551151000 | 21551811000            | 21551811005   |
| ●              | ●           | 21551103000 | 21551153000 | 21551813000            | –             |
| ●              | ●           | 21551105000 | 21551155000 | 21551815000            | 21551815005   |
| ●              | /           | 21551101055 | 21551151055 | 21551811055            | 21551811061   |
| ●              | ●           | 21551103055 | 21551153055 | 21551813055            | –             |
| ●              | ●           | 21551105055 | 21551155055 | 21551815055            | 21551815061   |

Article numbers for other colours and voltages on request.

CONFORMITY TO STANDARDS

The visual characteristics of flashing lights conform to the European standard DIN EN 842; “Machine safety – visual alarm signals”.

Requirements contained in the DIN EN 981 standard; “Machine safety – system of acoustic and visual alarm and information signals”, can be fulfilled.

The colours “red” for the emergency signal and “yellow” for the warning signal conform to the requirements of IEC 73 / DIN EN 60073 / VDE 0199; “Coding of display devices and control elements using colours and supplementary means”.

References to visual alarm devices can be found in the following standards:

- EN 60825-1 Radiation safety of laser devices, identical to IEC 825 and DIN-VDE 0837
- DIN EN 54 Fire alarm systems
- DIN 54113-2 Radiation protection regulations for the technical operation of X-ray equipment up to 500 kV